

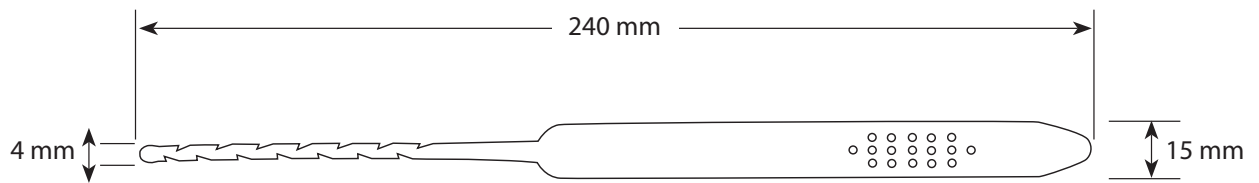


Comfi[®] Thread Retriever D524-S

Wing Plast's Comfi Thread Retriever is designed to easily get into IUCD threads and to make the process more gentle for both the care recipient and the care provider.

- Disposable
- Large "teeth" for easier access to the threads
- Easy grip
- Piece Boxed
- Sterile

Comfi® Thread Retriever D524-S



Material

- Polypropylene
- Latex

Disposable

- After use, the disposable speculum is handled according to the current policy.

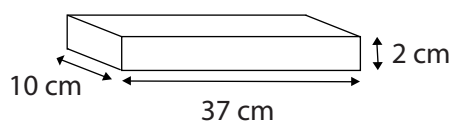
Weight

- Detail: 8 g
- Packaging: 70 g
- Transport packaging: 500 g

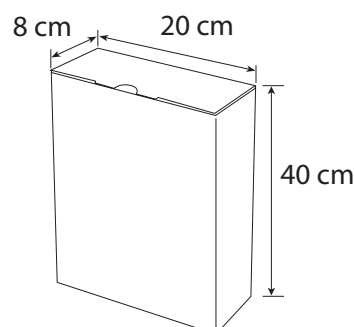
Packaging

- Packaging: 5 pcs
- Transport packaging: 50 pcs

Section packaging



Transport packaging



30-D524-S-001-210104